

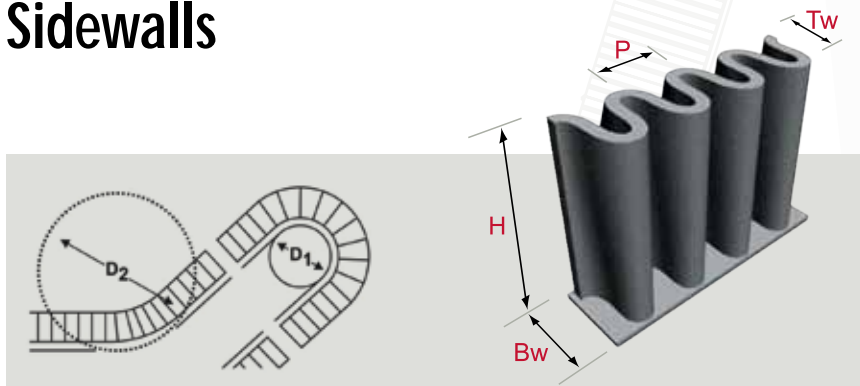
Endurawall



Made to strict International standards and subjected to rigorous testing procedures.

Corrugated sidewall conveyor belting has long been established as the industry standard for high angle bulk material conveying. Endurawall corrugated sidewall belting is specially designed to meet the needs of this highly technical industry segment. Our quality manufacturing process, and outstanding performance features combined with our technical expertise make Endurawall the ideal solution for both new installations and existing belt replacements.

Sidewalls



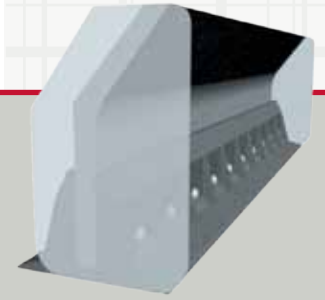
TYPE	H mm	Bw mm	Tw mm	P mm	MIN PULLEY Ø mm D1	MIN PULLEY Ø mm D2	WEIGHT kg/m
S	40	35	30	30	125	200	0.60
S	60	50	45	40	160	250	1.56
S	80	50	45	40	200	350	1.80
S	100	50	45	40	250	400	2.23
S	120	50	45	40	315	500	2.67
HDS	120	75	70	60	315	500	4.01
HDS	160	75	70	60	400	630	4.77
HDS	200	75	70	60	500	800	6.48
HDS	250	75	70	60	630	1000	7.55
HDS	280	75	70	60	800	1200	8.60
HDS	300	75	70	60	800	1200	9.30
XHDS	300	100	90	75	800	1200	12.50
XHDS	400	100	90	75	1000	1600	18.75

All sidewalls are available with or without fabric reinforcement except XHDS which is always fabric reinforced.



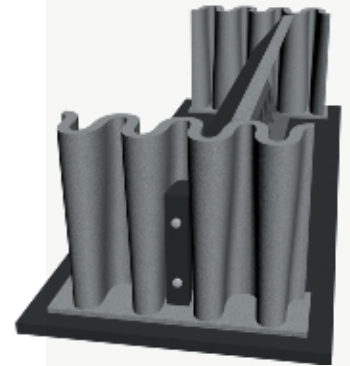
Side Blinkers

Available as an option, side blinkers are placed between the wall and cleat. This installation will minimize the amount of material catching in between the corrugations and the cleat, therefore reducing carryback and spillage. Particularly useful in applications where the material is small and free-flowing.



Installation Hardware

All required installation hardware is provided with the belt including fasteners, washers and sidewall support fittings.



Hot Bonding Process Protect Your Investment!

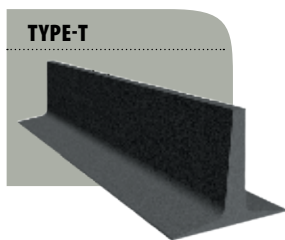
Our hot bonding process allows us to hot vulcanize both the cleats and sidewalls to the base belt, extending belt life in almost every application.

Advantages:

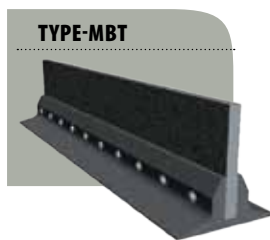
- Hot bonding dramatically increases the adhesion of the sidewalls & cleats to the base belt, resisting separation & delamination over time.
- Hot bonding prevents sidewall & cleat separation in applications with elevated belt temperatures, where cold cure products often fail due to cement reversion.
- Hot bonding prevents bond failure due to extreme cold.



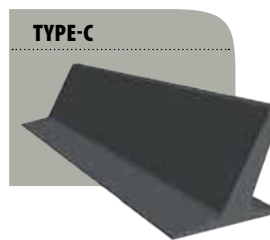
Cleats



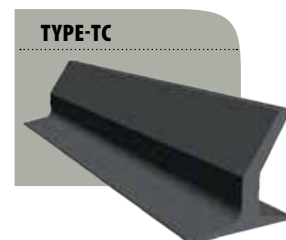
TYPE-T



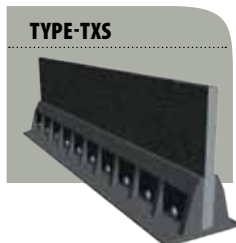
TYPE-MBT



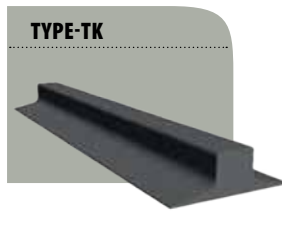
TYPE-C



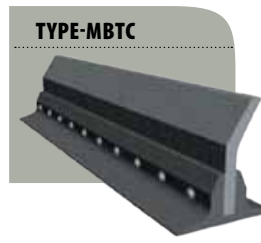
TYPE-TC



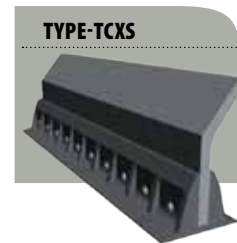
TYPE-TXS



TYPE-TK



TYPE-MBTC



TYPE-TXCS

HEIGHT mm	BASE WIDTH mm	WEIGHT kg/m	MIN PULLEY Ø mm D1	TYPICAL SIDEWALL
TYPE-T ONE PIECE T-CLEAT				
20	40	0.28	75	S-40
25	40	0.30	75	S-40
35	55	0.55	100	S-40
40	70	0.60	125	S-60
55	80	1.45	125	S-60
75	80	1.80	150	S-80
90	110	2.50	250	S-100
110	110	2.80	315	S-120
140	160	6.60	400	HDS-160
180	160	8.30	500	HDS-200
230	175	10.46	630	HDS-250
TYPE-MBT* TWO PIECE T-CLEAT				
110	160	7.90	315	HDS-120
140	160	9.25	400	HDS-160
180	160	11.50	500	HDS-200
230	160	13.50	630	HDS-250
250	160	14.60	630	HDS-280
280	160	17.65	800	HDS-300
360	160	19.25	1000	XHDS-400
TYPE-TXS* TWO PIECE EXTRA HEAVY T-CLEAT				
230	210	17.85	630	HDS-250
250	220	18.60	630	HDS-280
280	230	19.50	800	XHDS-300
360	230	22.50	1000	XHDS-400
TYPE-TK DRAG OUT CLEAT				
35	110	1.65	100	S-40
40	110	1.80	100	S-60

HEIGHT mm	BASE WIDTH mm	WEIGHT kg/m	MIN PULLEY Ø mm D1	TYPICAL SIDEWALL
TYPE-C ONE PIECE SCOOP CLEAT				
35	55	0.50	100	S-40
55	75	1.50	125	S-60
75	80	2.00	150	S-80
90	110	2.30	275	S-100
110	110	2.50	275	S-120
TYPE-TC ONE PIECE BUCKET CLEAT				
75	80	1.80	150	S-80
90	110	2.50	275	S-100
110	110	2.80	275	S-120
140	160	6.60	350	HDS-160
180	160	8.30	350	HDS-200
230	175	10.46	450	HDS-250
TYPE-MBTC* TWO PIECE BUCKET CLEAT				
110	160	7.90	315	HDS-120
140	160	9.25	400	HDS-160
180	160	11.50	500	HDS-200
230	160	13.50	630	HDS-250
250	160	14.60	630	HDS-280
280	160	17.65	800	HDS-300
360	160	19.25	1000	XHDS-400
TYPE-TXCS* TWO PIECE EXTRA HEAVY BUCKET CLEAT				
230	225	17.95	630	HDS-250
250	225	18.90	630	HDS-280
280	225	22.50	800	XHDS-350
360	225	26.00	1000	XHDS-400

The above are standard heights, non-standard are available, please enquire.
* Urethane cleat uprights available as an option.

